



LEDTEC

240W LDC HIGHBAY

TECHNICAL DATA SHEET

Compact, compatible and highly versatile, the LDC highbay delivers an unbeatable light output level of 190 lumens per watt for less. Capable of seamlessly replacing majority types of industry-standard discharge lamp based highbays on a 1 to 1.5 product ratio, it guarantees greater energy savings efficiency and rapid ROI.

Areas for Application

- Indoor Courts
- Public Spaces
- Retail Stores
- Warehouses
- Sports Halls
- Industrial Workshops
- Manufacturing Facilities



8/94 Forsyth Street O'Connor WA, 6163

+61 (08) 6371 1780

sales@ledtec.com.au

www.ledtec.com.au

TECHNICAL SPECIFICATIONS

Product	
Model	<i>LDC 240W</i>

Luminaire Information	
Rated Power	<i>240W</i>
Operating Temperature Range	<i>-40° ~ +50° c</i>
Fixture Installation	<i>Chain Mount Hook Mount Optional Bracket</i>
Mounted Height	<i>6~10m</i>

Electrical Characteristics	
Power Factor	<i>>0.95</i>
Operating Voltage Range	<i>AC 100-277V</i>
Input Current/230V	<i>0.72A / 220VAC</i>
Frequency Range	<i>50-60Hz</i>
Driver Type	<i>Philips</i>

Optical Characteristics	
Correlated Colour Temperature	<i>5000k Standard (Optional 2700K - 6500K)</i>
Colour Rendering Index	<i>70Ra Standard</i>
LED Type	<i>LM80 approved Elite SMD3035</i>
LED Quantity	<i>1001pcs</i>
LED Expected Lifespan	<i>108,000 hrs</i>
Luminous Efficacy	<i>190lm/w</i>
Luminous Flux	<i>45,600lm</i>
Beam Angle	<i>Type I: 90° Type II: 120°</i>

Material & Finish	
Ingress Protection Rating	<i>IP65</i>
Impact Protection Rating	<i>IK10</i>
Material Composition (Body)	<i>Pure Aluminium Alloy</i>
Material Composition (Driver Box)	<i>Pure Aluminium Alloy</i>
Material Composition (Lens)	<i>Optical Polycarbonate</i>
Material Composition (Bracket)	<i>Hot Rolled Carbon Steel</i>
Material Composition (Cable)	<i>SAA & ENEC approved rubber cable</i>
Material Composition (Reflector)	<i>Aluminium Alloy 1070</i>
Optional Accessories	<i>Reflector</i>

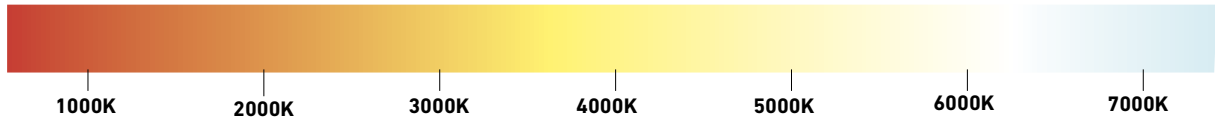
Weight & Packaging	
Diameter	<i>373mm</i>
Dimensions	<i>373 x 172mm</i>
Packing Size	<i>430 x 430 x 180mm</i>
Net Weight	<i>3.4kg</i>
Cable Length	<i>1.5 or 2m</i>

Warranty	
Warranty	<i>5 Years</i>

COLOUR TEMPERATURES

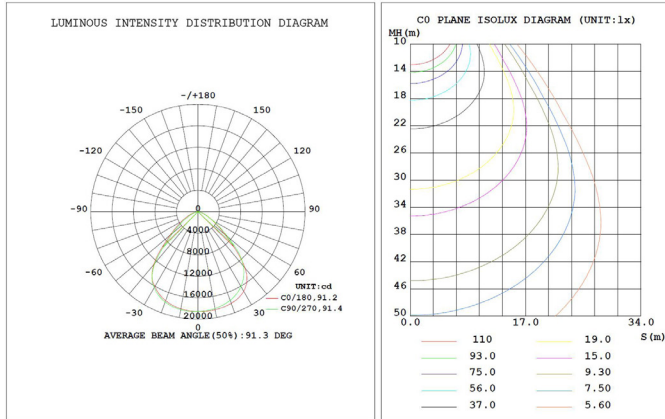
WARM WHITE
2700K - 3000K

COOL WHITE
5900K - 6500K

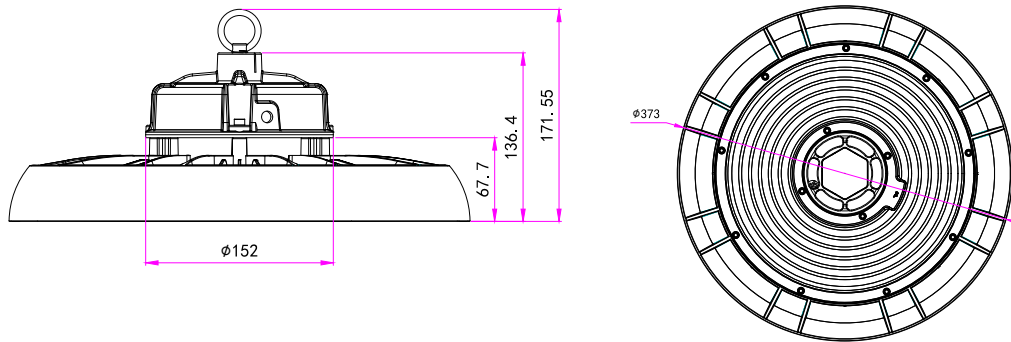


ILLUMINANCE AT DISTANCE

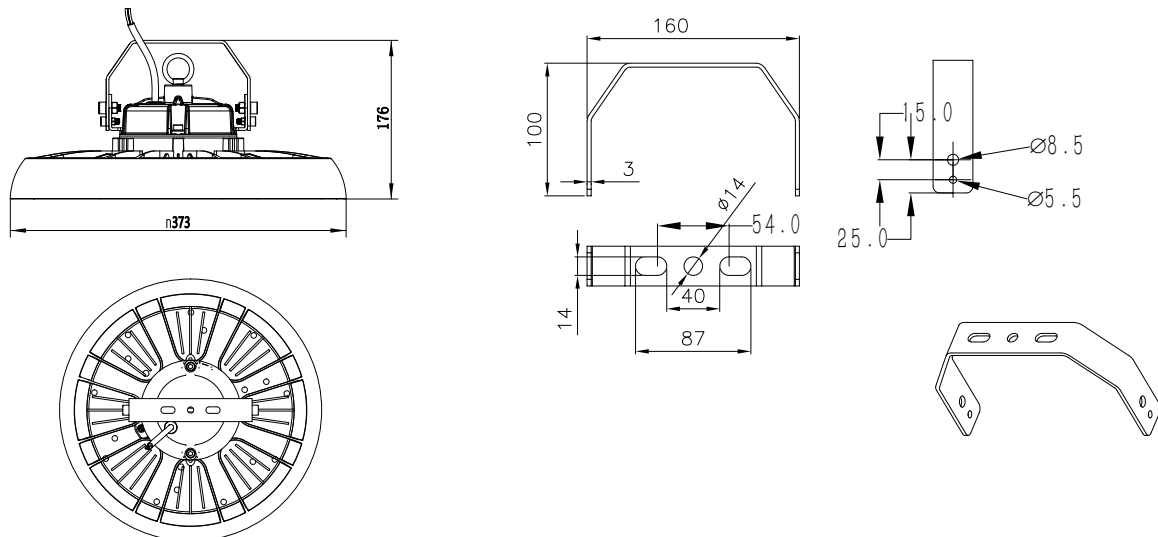
TYPE I: 90° & TYPE II: 120°



DIMENSIONS

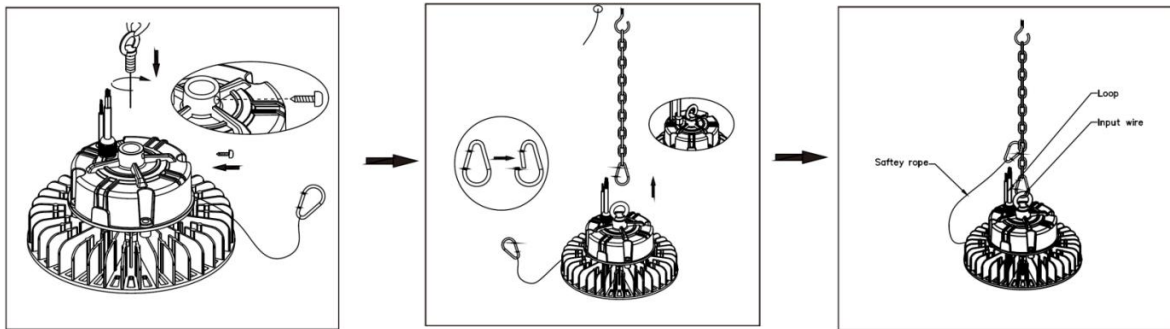


Bracket Mount



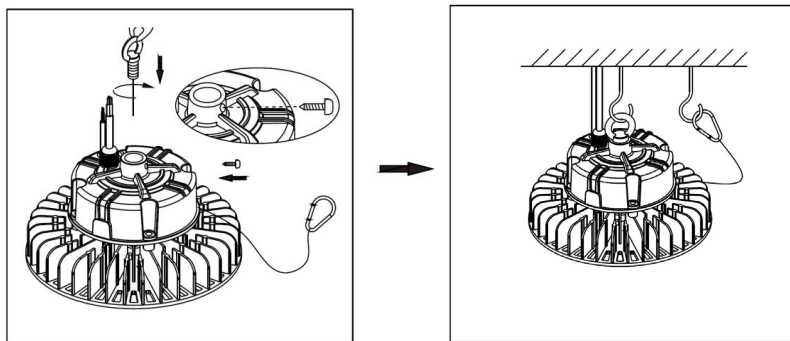
MOUNTING OPTIONS

CHAIN MOUNT



1. Unscrew the screw on top of the driver
2. Screw the circular ring tightly, then lock the circular ring using the screw
3. Fix the high bay fixture with the chain to the ceiling
4. Use the buckle to fix the safety rope with the body and chain
5. Make all wiring connections. If dimming is not required, leave the caps on dimming leads

HOOK MOUNT



1. Unscrew the screw from the top of the driver
2. Screw the circular ring tightly, then lock with using the screw
3. Carefully hang the LDC highbay into the lifting hook, making sure the hook can carry more than 3 times the weight of the luminaire
4. Use the buckle to fix the safety rope with the body and hook
5. Make all wiring connections. If dimming is not required, leave the caps on the dimming leads

CAUTION: Ensure all power to the lights is switched off before carrying out installation.