



LEDTEC

200W LDC Highbay

TECHNICAL DATA SHEET

Compact, compatible and highly versatile, the LDC highbay delivers and unbeatable light output level of 190 lumen's per watt for less. Capable of seamlessly replacing majority types of industry-standard discharge lamp based highbays on a 1 to 1.5 product ratio, it guarantees greater energy savings efficiency and rapid ROI.

Areas for Application

- Indoor Courts
- Public Spaces
- Retail Stores
- Warehouses
- Sports Halls
- Industrial Workshops
- Manufacturing Facilities



8/94 Forsyth Street O'Connor WA, 6163

+61 (08) 6371 1780

sales@ledtec.com.au

www.ledtec.com.au

TECHNICAL SPECIFICATIONS

Product

Model	LDC 200W
-------	----------

Luminaire Information

Rated Power	200W
Operating Temperature Range	-40° ~ +50° c
Luminous Flux	38,000lm
Luminous Efficacy	190lm/W
Fixture Installation	Chain Mount Hook Mount
Mounted Height	6~10m

Electrical Characteristics

Power Factor	>0.95
Operating Voltage Range	AC 100-277V
Input Current/230V	0.72A / 220VAC
Frequency Range	50-60Hz
Driver Type	Philips

Optical Characteristics

Correlated Colour Temperature	5000k Standard (Optional 2700K - 6500K)
Colour Rendering Index	Ra>70
LED Type	LM80 approved Elite SMD3035
LED Quantity	546pcs
LED Expected Lifespan	108,000 hrs
Beam Angle	Type B: 90° Type C: 120°

Material & Finish

Ingress Protection Rating	IP65
Impact Protection Rating	IK10
Material Composition (Body)	Pure Aluminium Alloy
Material Composition (Driver Box)	Pure Aluminium Alloy
Material Composition (Lens)	Optical Polycarbonate
Material Composition (Bracket)	Hot Rolled Carbon Steel
Material Composition (Cable)	SAA & ENEC approved rubber cable
Material Composition (Reflector)	Aluminium Alloy 1070
Optional Accessories	Reflector

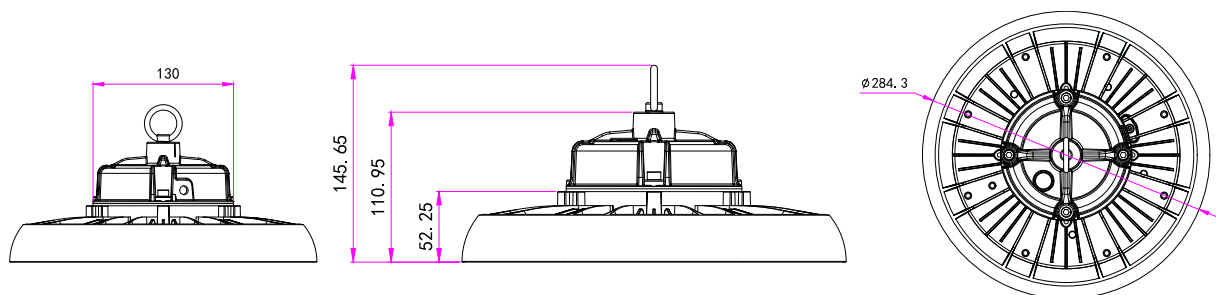
Weight & Packaging

Diameter	340mm
Dimensions	340x155mm
Packing Size	390x390x160mm
Net Weight	2.4kg
Cable Length	1.5 or 2m

Warranty

Warranty	5 Years
----------	---------

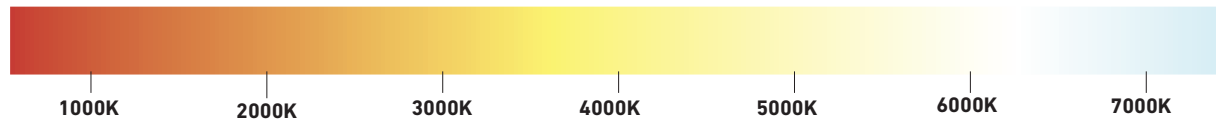
DIMENSIONS



COLOUR TEMPERATURES

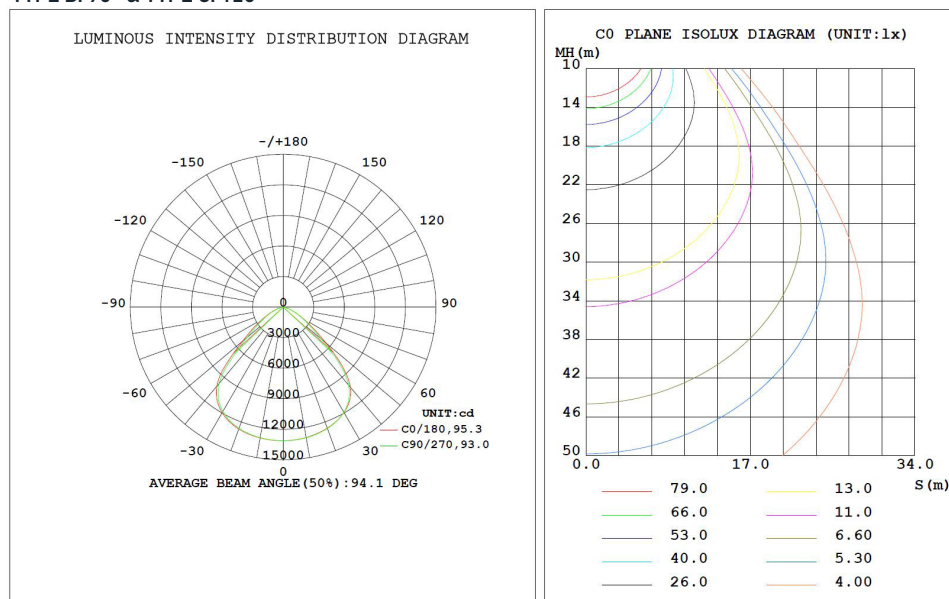
WARM WHITE
2700K - 3000K

COOL WHITE
5900K - 6500K



ILLUMINANCE AT DISTANCE

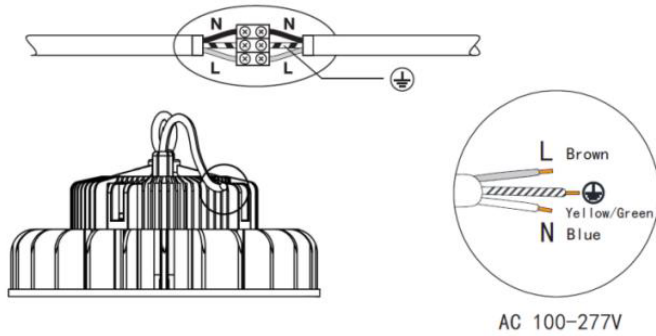
TYPE B: 90° & TYPE C: 120°



PRODUCT IMAGES

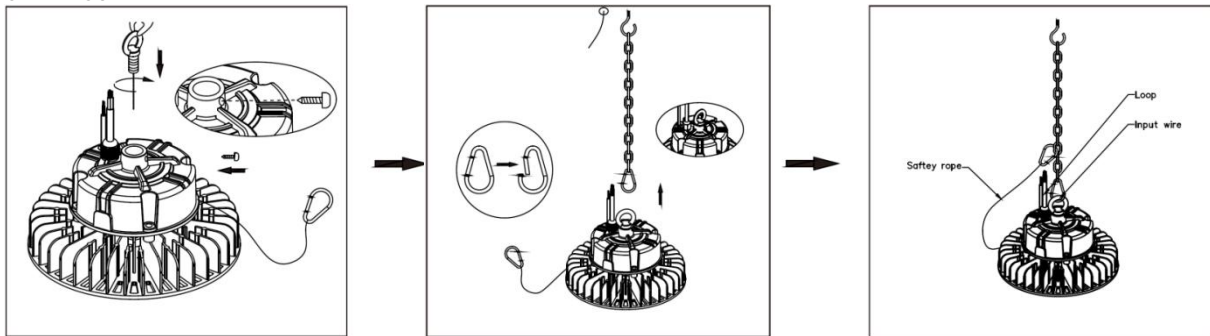


WIRING DIAGRAM



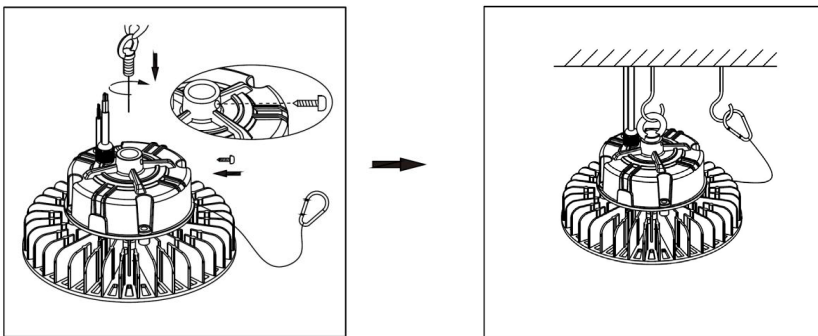
MOUNTING OPTIONS

CHAIN MOUNT



1. Unscrew the screw on top of the driver
2. Screw the circular ring tightly, then lock the circular ring using the screw
3. Fix the highbay fixture with the chain to the ceiling
4. Use the buckle to fix the safety rope with the body and chain
5. Make all wiring connections. If dimming is not required, leave the caps on dimming leads

HOOK MOUNT



1. Unscrew the screw from the top of the driver
2. Screw the circular ring tightly, then lock with using the screw
3. Carefully hang the LDC highbay into the lifting hook, making sure the hook can carry more than 3 times the weight of the luminaire
4. Use the buckle to fix the safety rope with the body and hook
5. Make all wiring connections. If dimming is not required, leave the caps on the dimming leads

CAUTION: Ensure all power to the lights is switched off before carrying out installation.