



LEDTEC

100W LDC HIGHBAY

TECHNICAL DATA SHEET

Compact, compatible and highly versatile, the LDC highbay delivers an unbeatable light output level of 190 lumen's per watt for less. Capable of seamlessly replacing majority types of industry-standard discharge lamp based highbays on a 1 to 1.5 product ratio, it guarantees greater energy savings efficiency and rapid ROI.

Areas for Application

- Indoor Courts
- Public Spaces
- Retail Stores
- Warehouses
- Sports Halls
- Industrial Workshops
- Manufacturing Facilities



8/94 Forsyth Street O'Connor WA, 6163

+61 (08) 6371 1780

sales@ledtec.com.au

www.ledtec.com.au

TECHNICAL SPECIFICATIONS

Product	
Model	LDC 100W

Luminaire Information	
Rated Power	100W
Operating Temperature Range	-40° ~ +50° c
Luminous Flux	19,000lm
Luminous Efficacy	190lm/W
Fixture Installation	Chain Mount Hook Mount Optional: Bracket
Mounted Height	3~7m

Electrical Characteristics	
Power Factor	>0.98
Operating Voltage Range	AC 100-277V
Input Current/230V	0.48A / 220VAC
Frequency Range	50-60Hz
Driver Type	Philips

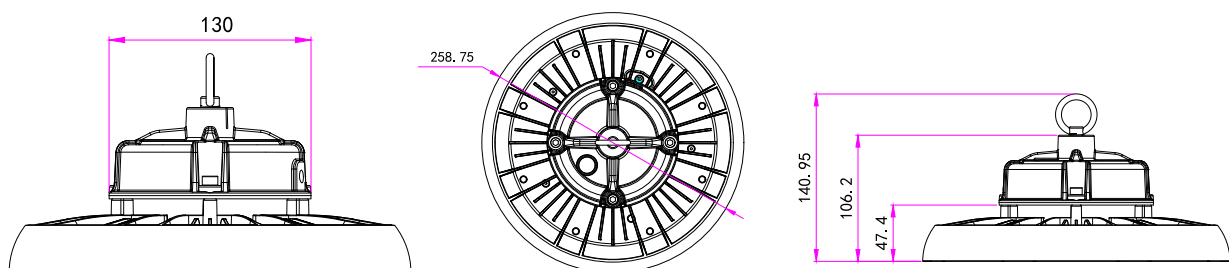
Optical Characteristics	
Correlated Colour Temperature	5000k Standard (Optional 2700K - 6500K)
Colour Rendering Index	Ra>70
LED Type	LM80 approved Elite SMD3035
LED Quantity	360pcs
LED Expected Lifespan	108,000 hrs
Beam Angle	Type C: 120°

Material & Finish	
Ingress Protection Rating	IP65
Impact Rating	IK10
Material Composition (Body)	Pure Aluminium Alloy
Material Composition (Driver Box)	Pure Aluminium Alloy
Material Composition (Lens)	Optical Polycarbonate
Material Composition (Bracket)	Hot Rolled Carbon Steel
Material Composition (Cable)	SAA & ENEC approved rubber cable
Material Composition (Reflector)	Aluminium Alloy 1070
Optional Accessories	Reflector

Weight & Packaging	
Diameter	258mm
Dimensions	259x141mm
Packing Size	310x310x150mm
Net Weight	1.80kg
Cable Length	1.5 or 2m

Warranty	
Warranty	5 Years

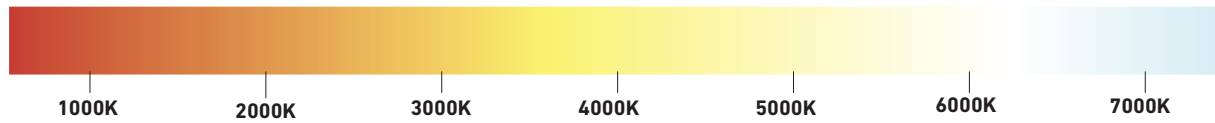
DIMENSIONS



COLOUR TEMPERATURES

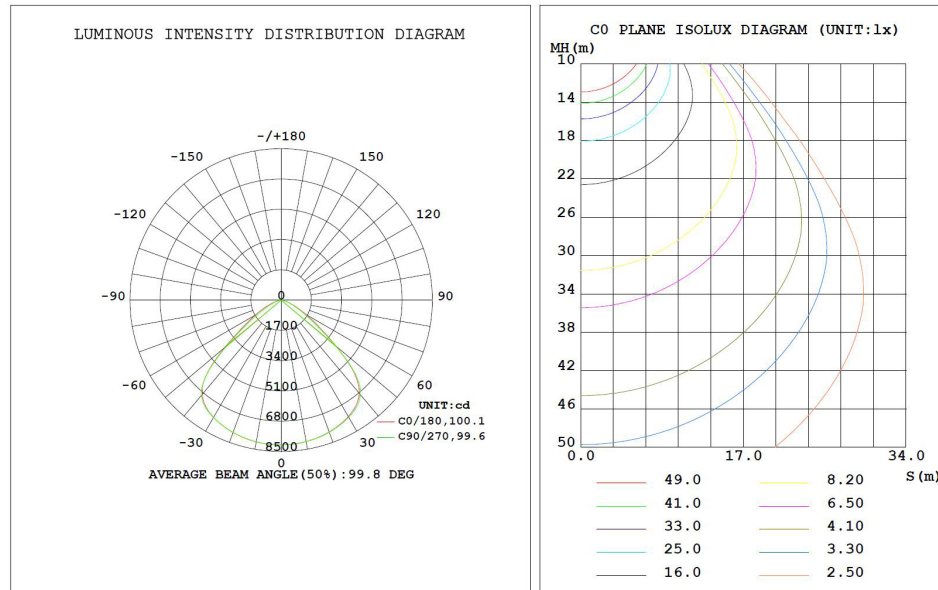
WARM WHITE
2700K - 3000K

COOL WHITE
5900K - 6500K

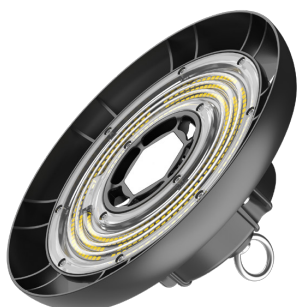


ILLUMINANCE AT DISTANCE

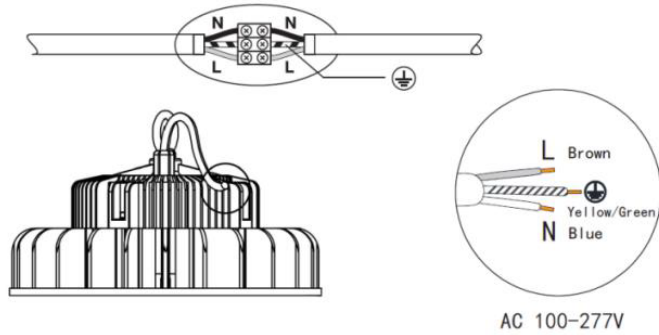
TYPE C: 120°



PRODUCT IMAGES

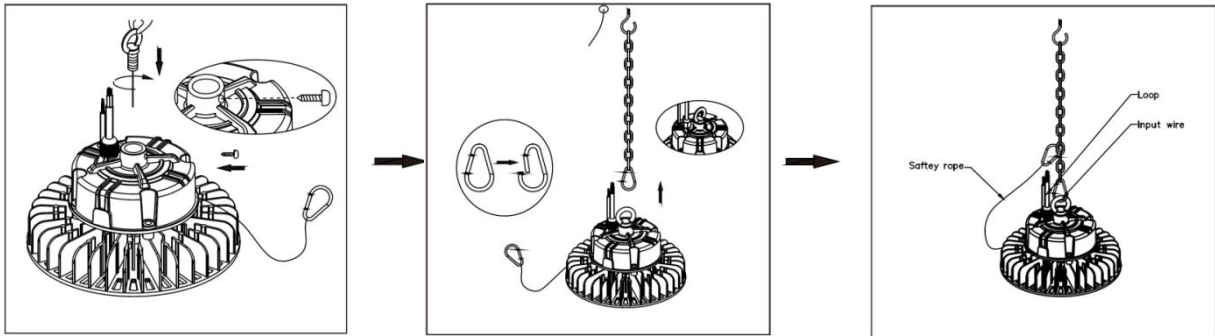


WIRING DIAGRAM



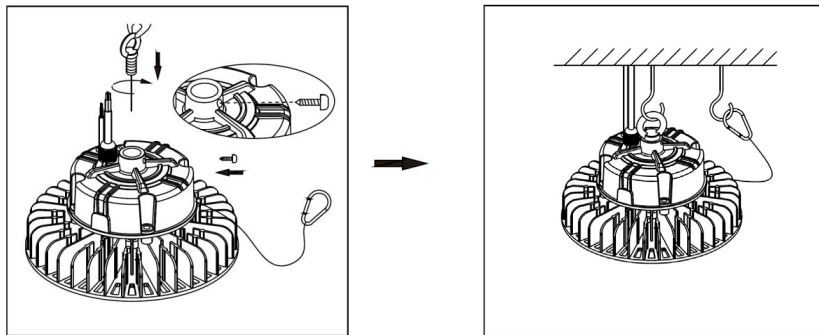
MOUNTING OPTIONS

CHAIN MOUNT



1. Unscrew the screw on top of the driver
2. Screw the circular ring tightly, then lock the circular ring using the screw
3. Fix the highbay fixture with the chain to the ceiling
4. Use the buckle to fix the safety rope with the body and chain
5. Make all wiring connections. If dimming is not required, leave the caps on dimming leads

HOOK MOUNT



1. Unscrew the screw from the top of the driver
2. Screw the circular ring tightly, then lock with using the screw
3. Carefully hang the LDC highbay into the lifting hook, making sure the hook can carry more than 3 times the weight of the luminaire
4. Use the buckle to fix the safety rope with the body and hook
5. Make all wiring connections. If dimming is not required, leave the caps on the dimming leads

CAUTION: Ensure all power to the lights is switched off before carrying out installation.