



LEDTEC

100W LPL TOP LIGHT

The LPL Top light delivers architectural style and brilliant lighting to outdoor areas and site applications. Completed with a powder coating treatment, this light is highly resistant to corrosion, abrasion and peeling, ensuring colour stability despite its ongoing exposure to direct sunlight.

Areas for Application

- Causeways
- Public Footpaths
- Private and Public Gardens
- Pedestrian Pathways
- River Banks
- Courtyards
- Parking Areas

8/94 Forsyth Street O'Connor WA, 6163

+61 (08) 6371 1780

sales@ledtec.com.au

www.ledtec.com.au



TECHNICAL SPECIFICATIONS

Product	
Model	LPL

Luminaire Information	
Rated Power	100W
Operating Temperature Range	-30° ~ +50° c
Mounting Option	Post top
Dimmable	Optional

Electrical Characteristics	
Operating Voltage Range	100-240VAC /100-277VAC
Frequency Range	50-60Hz
Power Factor	>0.90
Input Current	1.0A
Surge Protection	6kV line-line 10kv line-earth
Driver	Sosen (Dali optional)
Driver type	Constant Current
Control	1-10V/DALI
Dimmable	Optional

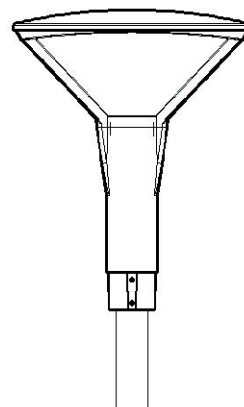
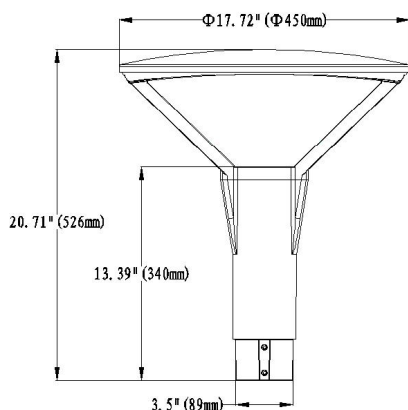
Warranty	
Warranty	5 years

Material & Finish	
Ingress Protection Rating	IP66
Impact Rating	IK08
Material Composition (Body)	Die casting aluminium
Material Composition (Lens)	Tempered glass and polycarbonate optical lens
Fixture Colour	Black
Finish	Powder Coating
Accessories	Pole adaptors

Weight & Packaging	
Packaging Dimensions	450x450x526mm
Luminaire Net Weight	7.97kg
Gross Weight	9.53kg

Optical Characteristics	
Correlated Colour Temperature	4000K (2700-6500K options available)
Colour Rendering Index	70Ra Standard (Ra 80 optional)
LED Type	Seoul chip 3030
LED Expected Lifespan	50,000 hrs
Light Efficacy	120lm/w
Luminous Flux	12,000lm
Beam Angle:	Type E X100° Y30°
Effective Projected Area	5.56ft ²

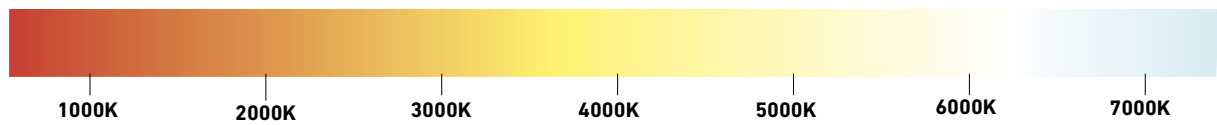
DIMENSIONS



COLOUR TEMPERATURES

WARM WHITE
2700K - 3000K

COOL WHITE
5900K - 6500K



ILLUMINANCE AT DISTANCE

TYPE E SHORT ROUND: X100° Y30°

