



# LEDTEC

# 350W KUH FLOODLIGHT

TECHNICAL DATA SHEET

Based on the engineering of our signature KUE floodlight, the KUH is the more lightweight and compact answer to its predecessor which offers a greater wattage and lumen output range, making it a light that is suitable for illuminating the largest of mine site areas.

#### Areas for Application

- Stock Piles
- High Masts
- Public Spaces
- Hardstands
- Switching Yards
- Public Spaces
- Light Towers
- Loading Docks
- Parking Areas
- Mine Site Area Lighting



8/94 Forsyth Street O'Connor WA, 6163

+61 (08) 6371 1780

sales@ledtec.com.au

www.ledtec.com.au

## TECHNICAL SPECIFICATIONS

Product	
Model	KUH2 350W

Luminaire Information	
Rated Power	350W
Operating Temperature Range	-40° ~ +50° c
Fixture Installation	Bracket mounting
Mounted Height	0-30 metres
Dimmable	Optional

Electrical Characteristics	
Operating Voltage Range	AC 100-240V DC 24-48V
Frequency Range	50-60Hz
Power Factor	>0.90/240V/AC
Input Current	1.52A/240V/AC
Inrush Current	Cold start 70A at 240V
Driver Type	Mean Well

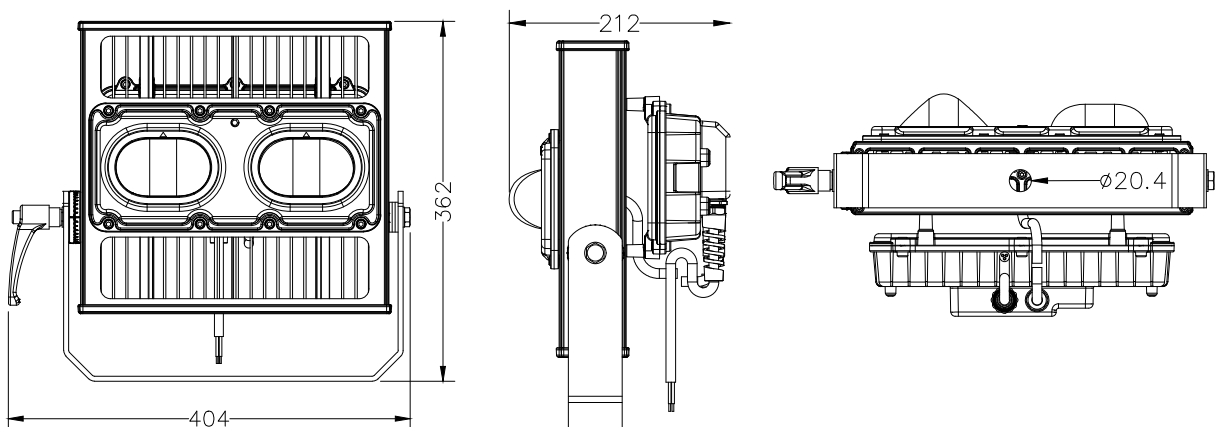
Warranty	
Warranty	3 years mobile 5 years fixed

Material & Finish	
Ingress Protection Rating	IP67
Impact Rating	IK10 (body) IK08 (lens)
Material Composition (body)	Aluminium alloy
Material Composition (bracket)	Hot rolled carbon steel
Material Composition (lens)	Stalinite glass
Material Composition (driver box)	Casting aluminium

Weight & Packaging	
Packaging Dimensions	362x404x212mm
Packaged Weight (driver box installed)	8.2kg
Cable Length	1.4m

Optical Characteristics	
Correlated Colour Temperature	5000k Standard (3000-6000K optional)
Colour Rendering Index	70Ra Standard
LED Type	Citizen CLU048-1818C4
LED Expected Lifespan	50,000 hrs
Light Efficacy	115-125lm/w
Luminous Flux (photometred)	40250-43750lm
Beam Angle	Type B1+ C: X50°, Y40° Type B1: X40°, Y38° Type C: X125°, Y50°

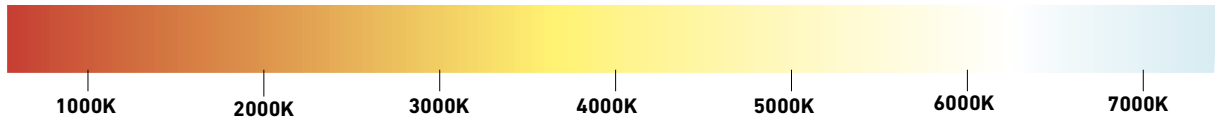
## DIMENSIONS



## COLOUR TEMPERATURES

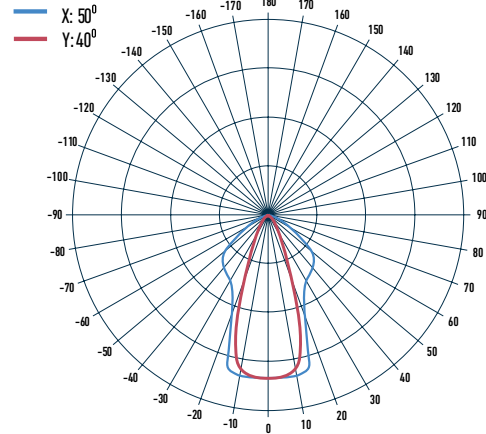
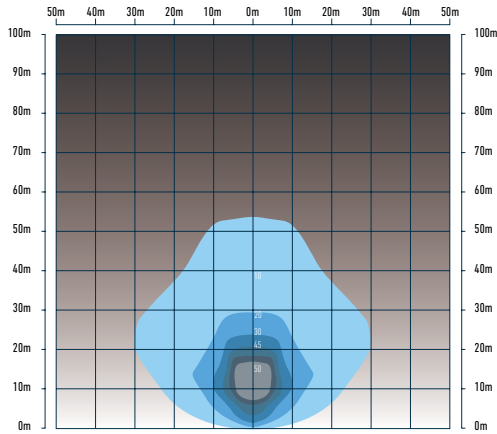
WARM WHITE  
2700K - 3000K

COOL WHITE  
5900K - 6500K

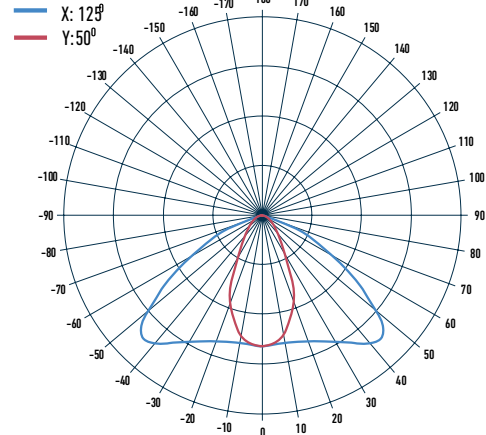
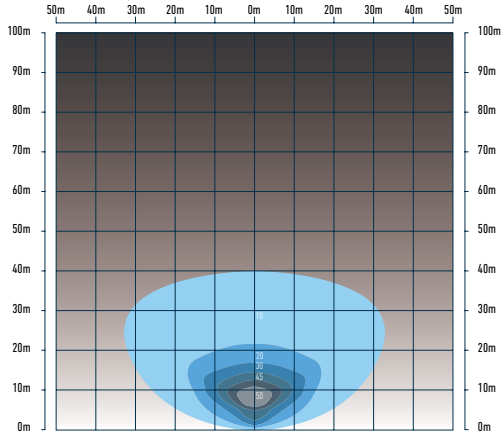


## ILLUMINANCE AT DISTANCE

LENS TYPE B1+C: X50°, Y40°



LENS TYPE C: X125°, Y50°



LENS TYPE B1: X40°, Y38°

