



LEDTEC

250W KUH FLOODLIGHT

TECHNICAL DATA SHEET

Based on the engineering of our signature KUE series floodlight, the KUH is the more lightweight and compact answer to its predecessor, and offers a greater wattage and lumen output range, making it a light that is suitable for illuminating a diverse range of mine site areas.

Areas for Application

- Stock Piles
- High Masts
- Public Spaces
- Hardstands
- Switching Yards
- Public Spaces
- Light Towers
- Loading Docks
- Parking Areas
- Mine Site Area Lighting



8/94 Forsyth Street O'Connor WA, 6163

+61 (08) 6371 1780

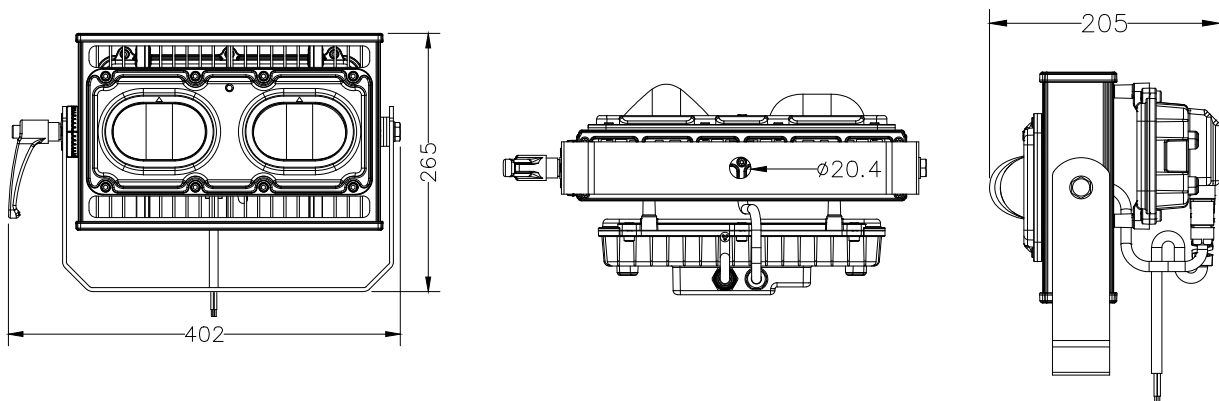
sales@ledtec.com.au

www.ledtec.com.au

TECHNICAL SPECIFICATIONS

Product		Material & Finish	
Model	KUH2 250W	Ingress Protection Rating	IP67
		Impact Rating	IK10 (body) IK08 (lens)
Luminaire Information		Material Composition (body)	Aluminium alloy
Rated Power	250W	Material Composition (bracket)	Hot rolled carbon steel
Operating Temperature Range	-40° ~ +50° c	Material Composition (lens)	Stalinite glass
Fixture Installation	Bracket mounting	Material Composition (driver box)	Casting aluminium
Mounted Height	0-30 metres	Weight & Packaging	
Dimmable	Optional	Packaging Dimensions	265x402x205mm
		Packaged Weight (driver box installed)	6.2kg
		Cable Length	1.4m
Electrical Characteristics		Optical Characteristics	
Operating Voltage Range	AC 100-240V DC 24-48V	Correlated Colour Temperature	5000k Standard (3000-6000K optional)
Frequency Range	50-60Hz	Colour Rendering Index	70Ra Standard
Power Factor	>0.90/240V/AC	LED Type	Citizen CLU048-1818C4
Input Current	1.1A/240V/AC	LED Expected Lifespan	50,000 hrs
Inrush Current	Cold start 70A at 240V	Light Efficacy	115-125lm/w
Driver Type	Mean Well	Luminous Flux (photometred)	28750-31250lm
Warranty		Beam Angle	Type B1+ C: X50°, Y40° Type B1: X40°, Y38° Type C: X125°, Y50°
Warranty	3 years mobile 5 years fixed		

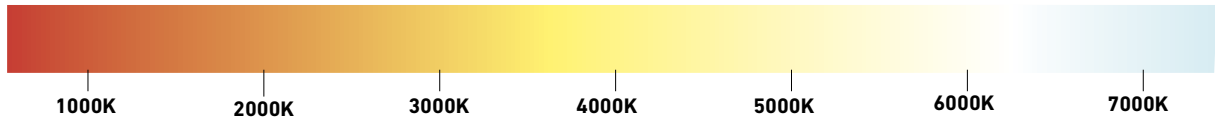
DIMENSIONS



COLOUR TEMPERATURES

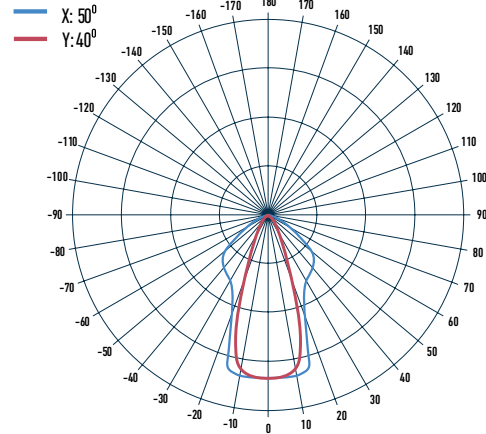
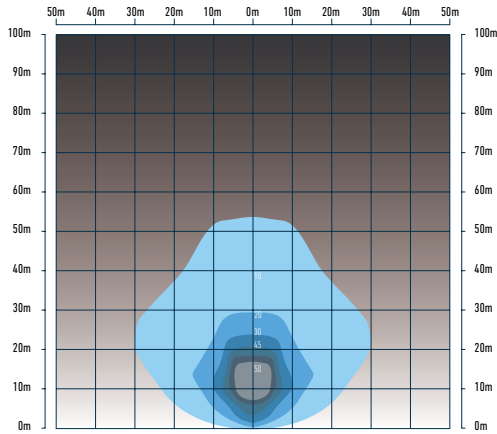
WARM WHITE
2700K - 3000K

COOL WHITE
5900K - 6500K

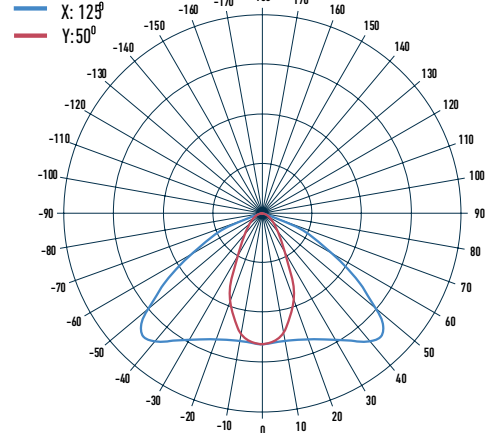
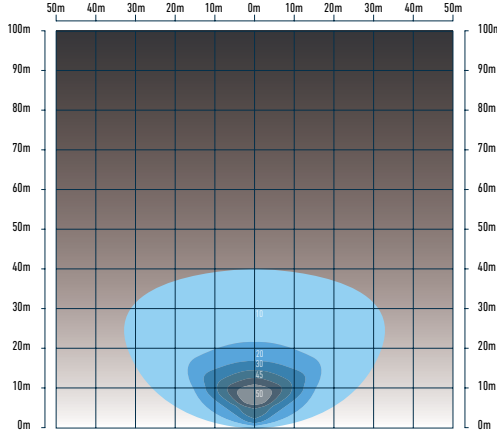


ILLUMINANCE AT DISTANCE

LENS TYPE B1+C: X50°, Y40°



LENS TYPE C: X125°, Y50°



LENS TYPE B1: X40°, Y38°

